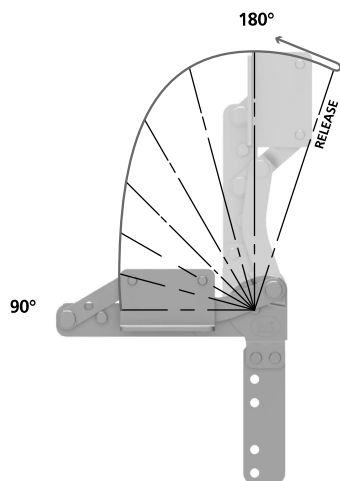


TEXAS



BETWEEN HUMAN AND TECHNOLOGY

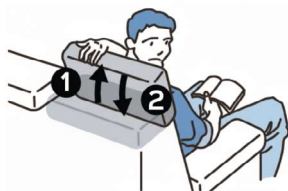
8000 FLAT FRAME



FLAT FRAME

Benefit: The products of the Texas 8000 family are characterized by the classic jerky mechanism and different angles and positions. Unlike the other products of the Texas family, the 8000 together with the 5000 have a translating element that keeps the upholstery in tension when the headrest is in open position. A wide range of options developed according to the type of clutch, complete the product line, simplifies the assembly operations of the upholstery and disassembly in the case of after-sales assistance.

Family	Angle	Steps	Assembly joint	Accessories	Note	Code
8000	90°-180°	6	Flat frame		Stirrup "L" facing down	MOPA1153
8000	105°-195°	6	Flat frame	Second stirrup "L" riveted to the flat stem	Stirrup "L" facing down	MOPA1172
8000	105°-210°	14	Flat frame		Stirrup "L" facing down	MOPA1167
8000	90°-180°	6		Second stirrup "L" riveted to the flat stem	Double stirrup "L"	MOPA09208



1. To unlock, open fully
2. Lower all the way down
3. Lift and adjust as desired

Manual	Armchairs	Sofas	Cycles:50.000	2YEARS Warranty
--------	-----------	-------	---------------	-----------------

Motionitalia Design and quality Made in Italy

Headquarters: via Navicella 26, 47122 Forlì (FC) Tel.+39 0543 774768 Fax.+39 0543 79 84 09 www.motionitalia.com info@motionitalia.com

The producer reserves the right to modify, at any moment and without notice, the technical specification of its products