


# OPEN SPACE

invisible D.S.C. reinforced *motorized*  
Code PE06700-XXXX (with front panel)

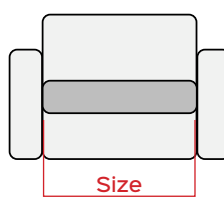


BETWEEN HUMAN AND TECHNOLOGY

**Premium  
line**

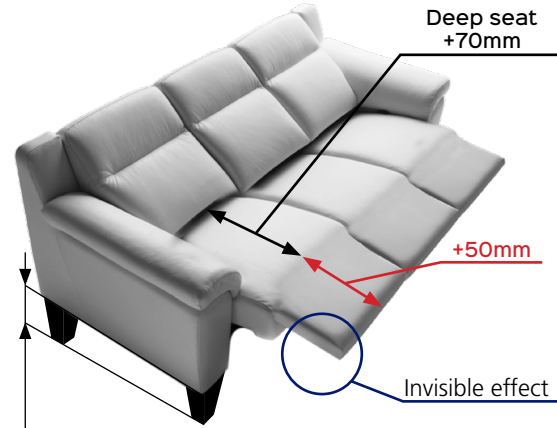


Motorized	21kg+/-1kg	0-Wall	Armchair	Sofas	MAX 230kg 510lbs Maximum capacity	Cycles:30.000	2YEARS Mechanism 2YEARS Actuator Warranty
-----------	------------	--------	----------	-------	--------------------------------------	---------------	---



Size

**Standard sizes (mm)**  
1200  
 Different sizes available




Deep seat +70mm

+50mm

Invisible effect


High Foot up to 180 mm (Padded open base)

**Positions:**




WALL

Closed



TV



O - wall






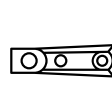


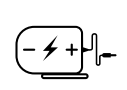
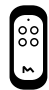

Full Relax

**Benefit:** OPEN SPACE invisibile D.S.C. reinforced is a highly innovative mechanism. Designed to be fully integrated with the padded allows a great freedom in the stylistic choice of the finished product. The invisible effect obtained through the fixing of the footboard at the center of the mechanism allows the footrest to not affect the product line and disappear completely even when the padding is open. The mechanics Open space invisibile D.S.C. reinforced is ideal for creating OPEN-BASE upholstery with a deep

and compact seat. The particular closure of the footrest which remains at about 17° compared to the ground, allows:

- to make a flap tablet longer (50mm) than the standard mechanisms, increasing comfort in "full relaxation"
- to design a padded with soft lines.

Thanks to the presence of the subottoman, the padded mattress remains pulled better in all phases of the movement of the seat. This product is equipped with reinforcement bars for larger size.

Optional	
SOME ACCESSORIES	 HEADREST & RATCHETS
ELECTRIC KIT	 ACTUATORS
CONTROL SYSTEM	 BUILT IN SWITCHES
 CONTROL PLATES	 TOUCH SENSOR
 KD	 PLUGS & CABLE EXTENSIONS
 FINISHES	 POWER SUPPLY & BATTERY PACKS
 WIRED/ WIRELESS REMOTES	 SMARTPHONE CONTROL SYSTEM