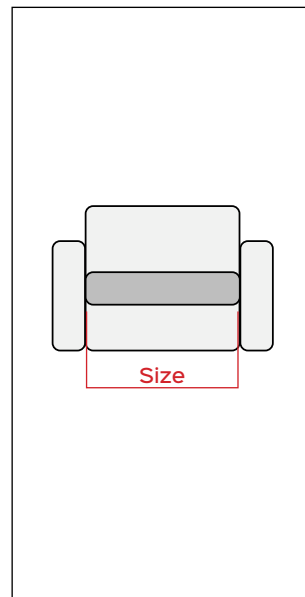


GLIDING PUSH BACK *manual*

Code PM08780-XXX



DESIGN IN MOVIMENTO



| | | | | | |
|--------|------------|----------|--|---------------|---|
| Manual | 19kg+/-1kg | Armchair | MAX 130kg 287lbs Maximum capacity | Cycles:30.000 | 2YEARS Mechanism 2YEARS Actuator Warranty |
|--------|------------|----------|--|---------------|---|

| |
|--------------------|
| Standard size (mm) |
| 520 |



Positions:

Closed

TV

Full Relax

Benefit: A manual mechanism that is ideal for armchairs aiming for maximum comfort, with a very solid and compact basic structure it allows the designer ample choice in the shape of the finished product. Moving the product is simple,

simply shift your body weight backwards on the seat to activate the mechanism and open the footrest to obtain the 'TV' position. The manual release adjusts the movement of the mechanism: from closed to full relax.

Optional

| | | | |
|-----------------------|------|----------------|--|
| SOME ACCESSORIES | | CONTROL SYSTEM | |
| HEADREST AND RATCHETS | BASE | MANUAL RELEASE | |
| BACKREST | PIN | | |

Motionitalia Design and quality Made in Italy

Headquarters: via Navicella 26, 47122 Forlì (FC) Tel.+39 0543 77 47 68 Fax.+39 0543 79 84 09 www.motionitalia.com info@motionitalia.com

The producer reserves the right to modify, at any moment and without notice, the technical specification of its products