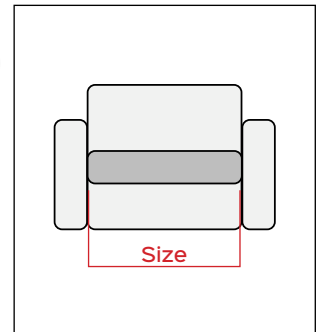


FIRST CLASS narrow backrest extended *motorized*

code PE08030-XXXX

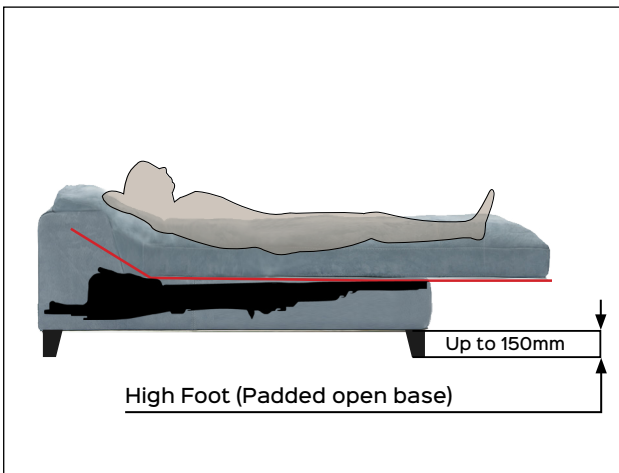


BETWEEN HUMAN AND TECHNOLOGY



Standard sizes (mm)
540
650
730
800
880
Different sizes available

Motorized	22kg +/- 1kg	0-Wall	Sofas	MAX 150kg 310lbs Maximum lifting capacity	Cycles:30.000	2YEARS Mechanism 2YEARS Actuator Warranty
-----------	--------------	--------	-------	--	---------------	---



Positions:

Closed TV Bed

Benefit: First Class narrow backrest extended motorized has been designed for all those who seek extreme comfort. This mechanism, in fact, thanks to a sliding movement (Chaise), makes it possible to switch from the "closed" position to the "bed" position. This is done by moving the seat, backrest and headrest forward. The

characteristic "Extended" increases the depth of the seat by 130mm. The mechanics while being solid and robust, allows, at the same time, to compose the padded according to your needs with ease. In addition, the "narrow" backrest allows easy insertion of the headrest. This product is used in the design of OPEN-BASE upholstery (high feet up to 150mm).

Optional

SOME ACCESSORIES	
	HEADREST & RATCHETS

ELECTRIC KIT	
	PLUGS & CABLE EXTENSIONS
	POWER SUPPLY & BATTERY PACKS

CONTROL SYSTEM		
	TOUCH SENSOR	
	WIRED/ WIRELESS REMOTES	SMARTPHONE CONTROL SYSTEM