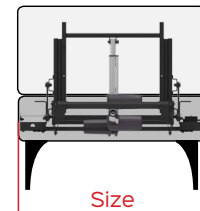


ATTRACTION *motorized*

Code K07274-XXXX



DESIGN IN MOVIMENTO

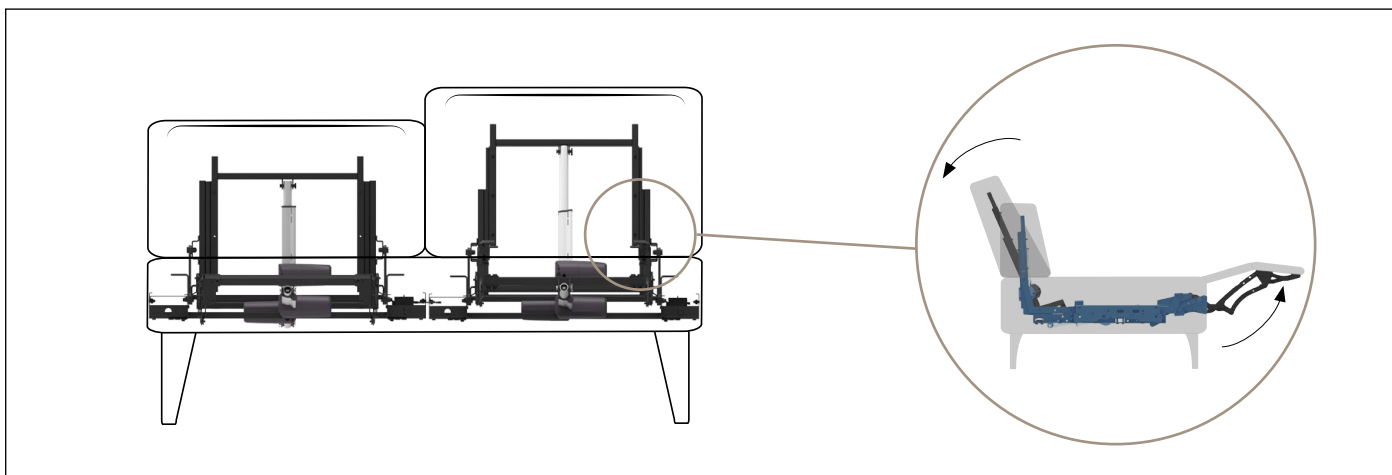


Standard sizes (mm)

850

1000

Motorized	23kg+/- 0,5kg	Armchair	Sofas	MAX 160kg 360lbs Maximum capacity	Cycles:30.000	2YEARS Mechanism 2YEARS Actuator Warranty
-----------	---------------	----------	-------	--	---------------	---



Benefit: ATTRACTION motorized combines a mechanism and a backrest. Thanks to the compact structure is perfect for open base sofa and chair with a contemporary design. The structure has been designed to become the frame of the furniture itself with housing for cables and control boxes. Three

actuators regulate the mechanism, the first opens the footrest, the second extends the headrest and the third reclines the backrest in order to reach the desired comfort position.

Optional

SOME ACCESSORIES	 CARTER
FINISHES	

ELECTRIC KIT	 ACTUATORS
PLUGS & CABLE EXTENSIONS	 POWER SUPPLY & BATTERY PACKS

CONTROL SYSTEM	 SMARTPHONE CONTROL SYSTEM
WIRED/ WIRELESS REMOTES	

Motionitalia Design and quality Made in Italy

Headquarters: via Navicella 26, 47122 Forlì (FC) Tel.+39 0543 77 47 68 Fax.+39 0543 79 84 09 www.motionitalia.com info@motionitalia.com

The producer reserves the right to modify, at any moment and without notice, the technical specification of its products