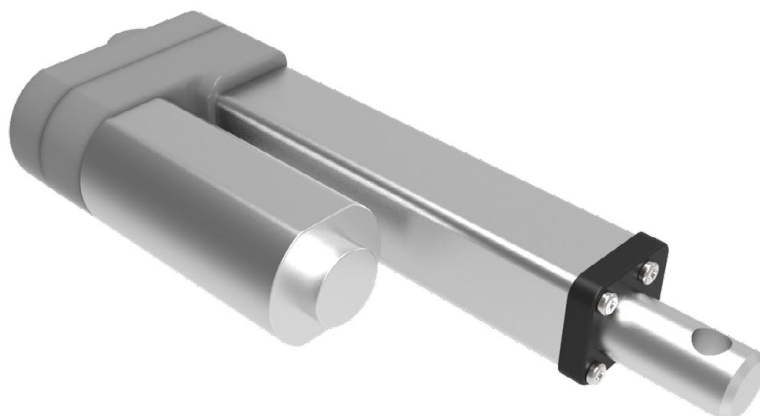


# ACTUATOR MI-13 telescopic stem

Code MOAC13000



DESIGN IN MOVIMENTO



**2YEARS**

Warranty

## Benefit

Thanks to its reduced dimensions, the MI-13 telescopic stem actuator is suitable for applications where the available space is particularly small, such as compact

headrests and backrests. The adjustable microswitches may compensate any small differences in the frames or mechanisms.

## Technical features




Max stroke: 250 mm

Max load: 3000 N

Rear attachment: 0° - 90°

Supply cable length: 500mm - 1000mm

## Configuration (max load - speed no load)

		
3000N - 5mm/sec	1500N - 10mm/sec	800N - 15mm/sec

**Motionitalia** Design and quality Made in Italy

Headquarters: via Navicella 26, 47122 Forlì (FC) Tel.+39 0543 77 47 68 Fax.+39 0543 79 84 09 [www.motionitalia.com](http://www.motionitalia.com) [info@motionitalia.com](mailto:info@motionitalia.com)

The producer reserves the right to modify, at any moment and without notice, the technical specification of its products