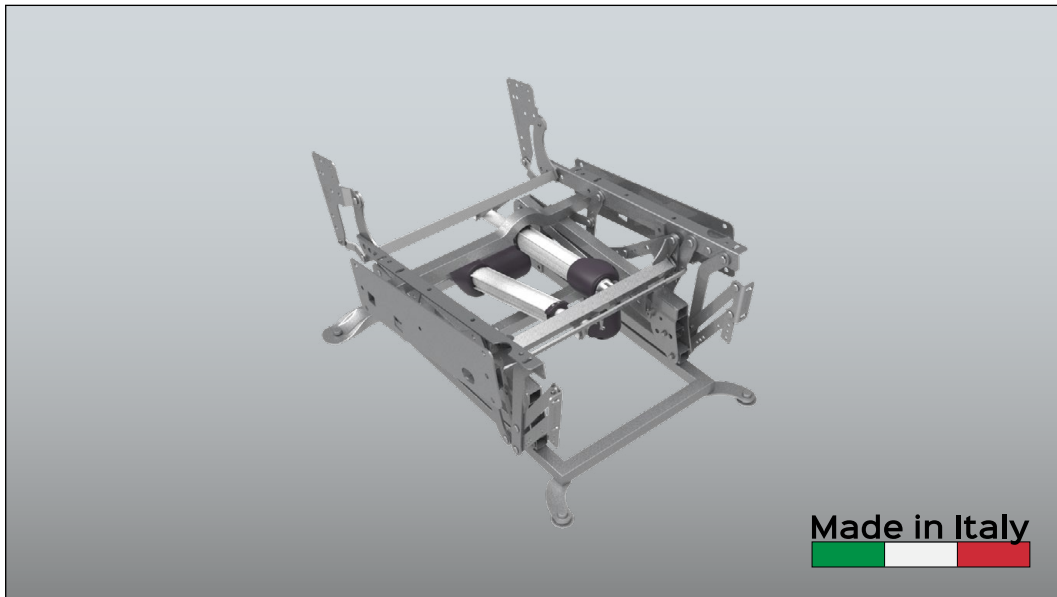


# LEVANTE

BED CLASSIC VERTICAL LIFT M2

Code PL07088-XXX



Standard sizes (mm)

**520**

Motorized	25 kg +/- 1kg	Armchair	<b>MAX</b> 170kg 380lbs Maximum lifting capacity	Cycles:30.000	<b>2YEARS</b> Mechanism <b>2YEARS</b> Actuator Warranty
-----------	---------------	----------	---	---------------	---

Positions:

Closed      TV      Bed      Lift

**Benefit:** The KEYMOTION mechanisms are built entirely in Italy, from the raw material, to the processing, up to the final assembly and testing. The products are carefully checked before being shipped. This mechanism is designed to ensure high lifting performance and comfort, facilitating the everyday life of the most needy user. Two motors regulate the different positions: closed, TV, bed and lift. The first actuator, in addition to bringing

the padded in position Lift, extends the footboard by doing a slight tilting action to the seat and backrest; the second actuator instead reclines the backrest until you reach the Bed position. The vertical-lift system raises the padding without rotation for the first 10 cm, allowing the person to adapt to intermediate heights before standing. Finally, the Bed backrest increases the comfort in the open position with an inclination of as much as 22° more than the standard version.

## Optional

<b>SOME ACCESSORIES</b>	TROLLEY KIT	HEADREST	HANDLE	<b>ELECTRIC KIT</b>	ACTUATORS	<b>CONTROL SYSTEM</b>	BUILT IN SWITCHES	CONTROL PLATES
CARTER	FINISHES	DOUBLE FOOTBOARD	KINETIC	PLUGS & CABLE EXTENSIONS	POWER SUPPLY & BATTERY PACKS	TOUCH SENSOR	WIRED/ WIRELESS REMOTES	SMARTPHONE CONTROL SYSTEM
ARMREST KIT	DORSAL	SEAT AND FOOTREST FRAME	ARMREST	CONNECTOR				

**Keymotion by motionitalia** Design and quality Made in Italy

Business Unit Lucrezia: Via Enzo Ferrari 7, 61030 Lucrezia (PU) Tel. +39 0721 170 74 54 [www.key-motion.it](http://www.key-motion.it)  
 Headquarters: via Navicella 26, 47122 Forlì (FC) Tel.+39 0543 774768 Fax.+39 0543 798409 [www.motionitalia.com](http://www.motionitalia.com) [info@motionitalia.com](mailto:info@motionitalia.com)

The producer reserves the right to modify, at any moment and without notice, the technical specification of its products